

LUXURY VINYL TILES

iD
Inspiration
Loose-lay

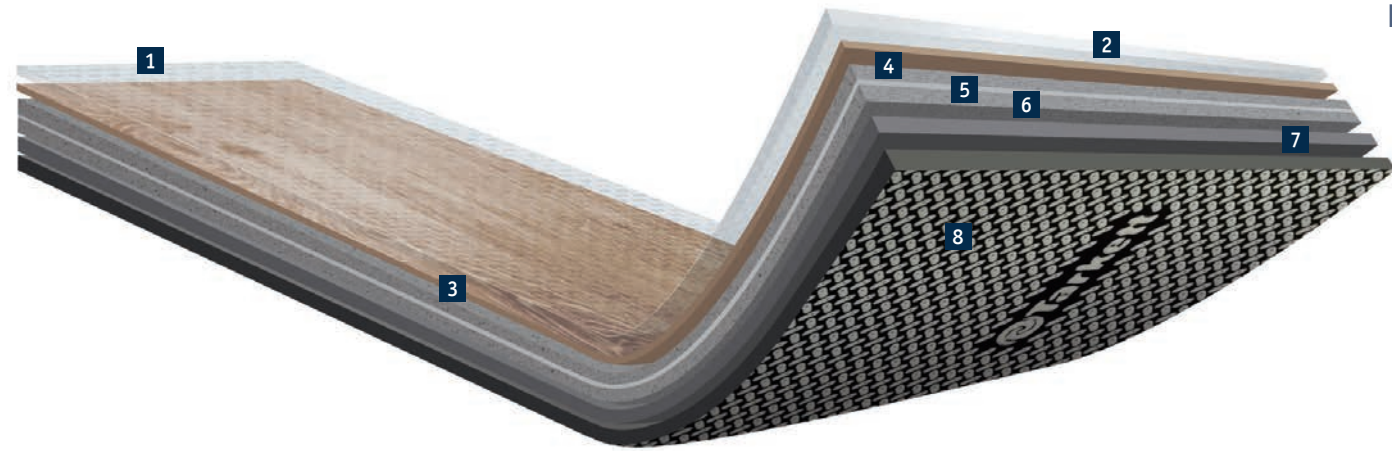
FLOOR IS THE NEW PLAYGROUND



THE ULTIMATE
FLOORING EXPERIENCE

iD Inspiration LOOSE-LAY

Bringing distinctive design into your indoor space need not be hard work. With its unique herringbone anti-skid technology, Tarkett's Loose-lay flooring provides stronger plank adherence and stability than other modular vinyl solutions. Little preparation and no glue make installation easy and overnight renovation possible. Part of the iD Inspiration range, Loose-lay lets you mix and match from a wealth of designs to create your own effect. Unleash your creativity, because floor is the new playground.



- 1 TopClean XP™ PUR reinforcement**
for extreme resistance and easy low cost maintenance
- 2 Wear layer**
0.55 mm for commercial traffic resistance
- 3 Printed film**
in 22 different wood and stone designs
- 4 Core layer**
for proper resistance to indentation

- 5 Glass fiber reinforcement**
for perfect dimensional stability
- 6 Bottom layer**
for a solid basis to the product
- 7 Balancing layer**
for a curl-free product
- 8 Tarkett exclusive herringbone anti-skid backing**
for exceptional adherence to the subfloor and skid resistance in all directions

A UNIQUE LAYING TECHNOLOGY FOR FAST AND COST-SAVING INSTALLATIONS

iD Inspiration Loose-lay is up to three times faster to install than other modular vinyl solutions⁽¹⁾, making it ideal for small or occupied surfaces, or environments requiring fast installation. It even makes overnight renovation possible. It requires no or little subfloor preparation, as it absorbs uneven patches, and no glue⁽²⁾ for installation. Material and labour costs are therefore reduced.

iD Inspiration Loose-lay's anti-skid backing is unique. Its patented herringbone design and pattern ensures strong plank adherence and stability.

When compared to other loose-lay solutions on the market, iD Inspiration Loose-lay scores as the best performer with 2.5 times higher adherence than its competitors⁽³⁾.

This solution is totally dimensionally stable, and as durable and reliable as a glue-down flooring.

You can very easily remove iD Inspiration Loose-lay with no damage to the product or the subfloor, making future renovations easier, quicker and cheaper. You can also reuse it. If a plank or tile is damaged it can be very quickly and easily replaced.



3 times faster
to install than other modular vinyl solutions. It makes overnight renovation possible⁽¹⁾

2.5 times higher
adherence than its competitors⁽³⁾

A WIDE SELECTION OF EXCLUSIVE AND ULTRA-REALISTIC DESIGNS

iD Inspiration Loose-lay is available in 22 refined designs in plank (19 wood essences) and tile (3 stone patterns) formats. Go beyond convention and mix and match various finishes to create your fully personalized decoration. And for the final touch, use coordinated Tarkett accessories: skirtings, transitions, ramp profiles and feature strips.

OPTIMIZED PERFORMANCE AND REDUCED MAINTENANCE COSTS

iD Inspiration Loose-lay is very robust and durable and therefore perfectly adapted to high-traffic areas (0.55mm-thick wear layer). Its surface is treated with the Tarkett unique TopClean XP polyurethane coating for greater resistance, quicker and more cost-effective cleaning and a better life-cycle cost. It requires neither wax nor polish, significantly reducing the use of water, energy and chemical detergents resulting in the lowest maintenance costs in its category.

A PEOPLE-FRIENDLY SOLUTION

iD Inspiration Loose-lay is 100% recyclable, and integrates two eco-innovations. It contributes to improved indoor air quality with total VOC emissions at least 10 times lower than Europe's strictest standards. It uses a phthalate-free technology, based on alternative plasticizers that can be used for sensitive applications such as the production of toys, food packaging and medical devices.

(1) and (3) Estimation based on Tarkett's internal tests (2) No acrylic adhesive needed, only a tackifier for very large areas. Please refer to installation instructions.



Mix and match the designs to create your own effect. Take a look at some of the pattern options we imagined...



HYBRID HERRINGBONE
 3 colors - Buy 1/3 of each color*
 Uses models: Limed Oak – Beige /
 Limed Oak – Grey / Limed Oak – Brown
 Plank format (cm): 22.9 x 121.9



GRAPHIC HERRINGBONE
 3 colors - Buy 1/3 of each color*
 Uses models: Limed Oak – Beige /
 Limed Oak – Grey / Limed Oak – Brown
 Plank format (cm): 22.9 x 121.9



DUAL HERRINGBONE
 2 colors - Buy 1/2 of each color*
 Uses models: Limed Oak – Beige /
 Limed Oak – Grey
 Plank format (cm): 22.9 x 121.9

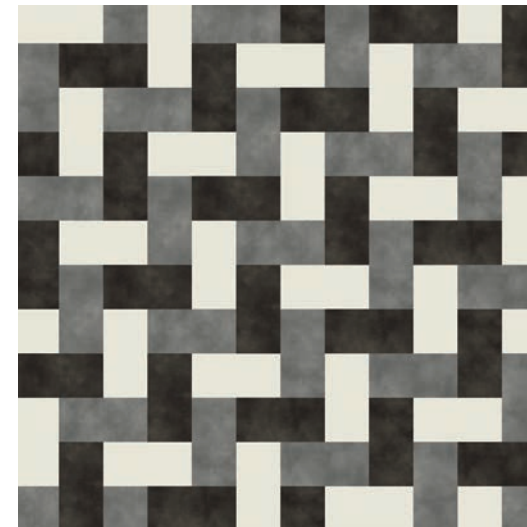


GRADIENT HERRINGBONE
 2 colors – Buy of 1/3 Beige, 2/3 of Brown*
 Uses models: Limed Oak – Beige /
 Limed Oak – Brown
 Plank format (cm): 22.9 x 121.9

* Estimation based on this scaled square pattern



Mix and match the designs to create your own effect. Take a look at some of the pattern options we imagined...

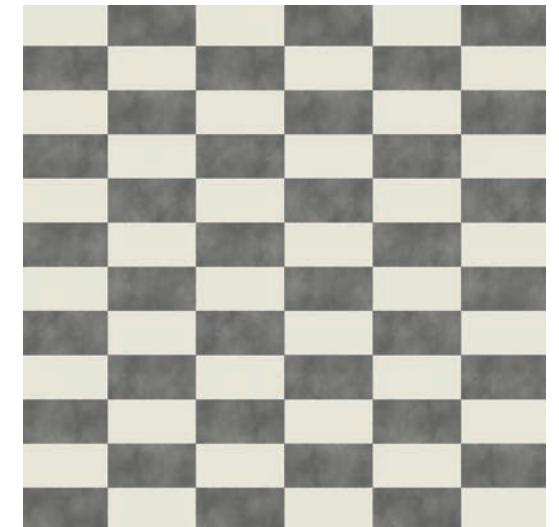


MIXED PATH

3 colors - Buy 1/3 of each color*

Uses models: Béton - White / Béton - Grey / Béton - Black

Tile format (cm): 30.5 x 61

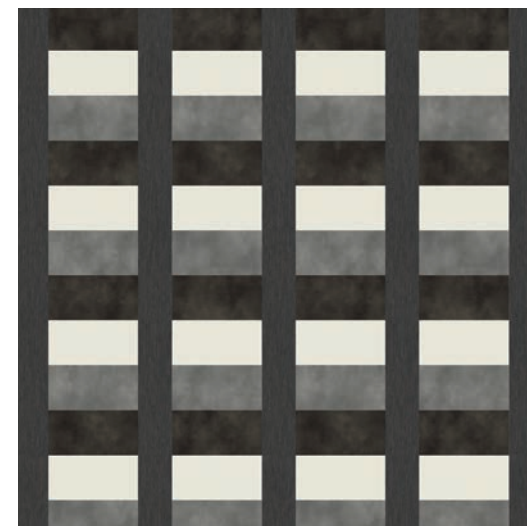


MARBLE PATH

2 colors - Buy 1/2 of each color*

Uses models: Béton - White / Béton - Grey

Tile format (cm): 30.5 x 61

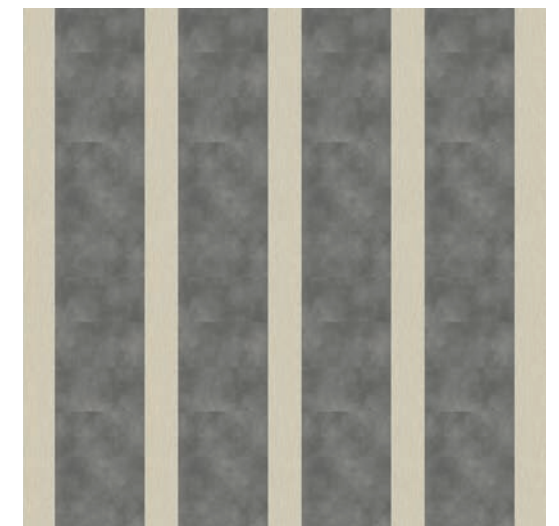


RAILWAY TRACK

4 colors - Buy 1/4 of each color*

Uses models: Béton - White / Béton - Grey / Béton - Black / Delicate wood - Black

Tile format (cm): 30.5 x 61 / Plank format (cm): 22.9 x 121.9



GARDEN ALLEY

2 colors - Buy 1/5 of Wood, 4/5 of Béton*

Uses models: Delicate wood - White / Béton - Grey

Tile format (cm): 30.5 x 61 / Plank format (cm): 22.9 x 121.9

* Estimation based on this scaled square pattern



└
 Mix and match the designs to create your own effect.
 Take a look at some of the pattern options we
 imagined...
 └



SLAM BEAT
 2 colors - Buy 2/3 of Grey, 1/3 of Beige*
 Uses model: Beach Wood – Beige /
 Beach Wood – Grey
 Plank format (cm): 22.9 X 121.9



TUNING FORK
 2 colors - Buy 1/2 of each color*
 Uses model: Beach Wood – Beige /
 Beach Wood – Grey
 Plank format(cm): 22.9 X 121.9



TWO-STEP
 2 colors - Buy 1/2 of each color*
 Uses model: Beach Wood – Beige /
 Beach Wood – Grey
 Plank format (cm): 22.9 X 121.9



WAVE REPEAT
 2 colors - Buy 1/2 of each color*
 Uses model: Beach Wood – Beige /
 Beach Wood – Grey
 Plank format (cm): 22.9 X 121.9

* Estimation based on this scaled square pattern



Mix and match the designs to create your own effect. Take a look at some of the pattern options we imagined...



TRENDY PALLET
 3 colors - Buy 2/4 of Brown, 1/4 of Dark Brown, 1/4 of Grey*
 Uses models: Sawn Oak – Grey / Sawn Oak – Brown / Sawn Oak – Dark Brown
 Plank format (cm): 22.9 x 121.9



TRENDY SQUARE
 3 colors - Buy 2/4 of Dark Brown, 1/4 of Brown, 1/4 of Grey*
 Uses models: Sawn Oak – Grey / Sawn Oak – Brown / Sawn Oak – Dark Brown
 Plank format (cm): 22.9 x 121.9

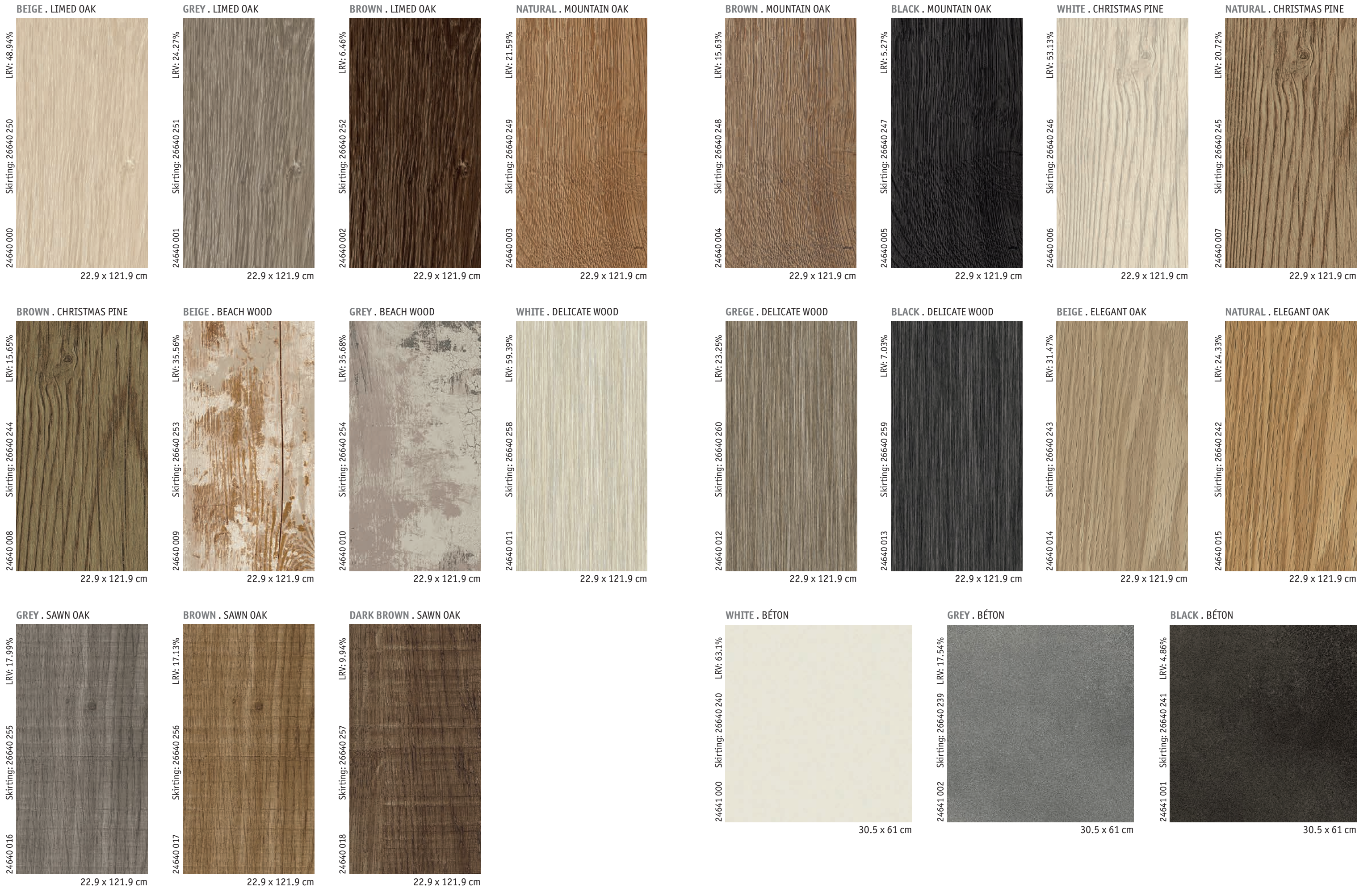


TRENDY LINE
 2 colors - Buy 1/2 of each color *
 Uses models: Sawn Oak – Grey / Sawn Oak – Brown
 Plank format (cm): 22.9 x 121.9



TRENDY CHECKERBOARD
 2 colors - Buy 1/2 of each color *
 Uses models: Sawn Oak – Brown / Sawn Oak – Dark Brown
 Plank format (cm): 22.9 x 121.9

* Estimation based on this scaled square pattern



Specification

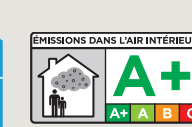
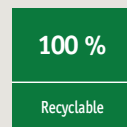
Modular vinyl floor covering, with glass fibre reinforcement.
 TopClean XP™ polyurethane reinforcement. In plank and tile format.
 Product standard: EN ISO 10582

CERTIFICATION & CLASSIFICATION	STANDARDS	iD Inspiration Loose-lay
Type of floor covering	EN ISO 10582	Compact resilient floor covering
CE certification	EN 14041	Yes
Classification	EN ISO 10874	Commercial: 33 Industrial: 42
TECHNICAL CHARACTERISTICS	STANDARDS	iD Inspiration Loose-lay
Plasticizer		Phthalate-free
Total thickness	EN ISO 24346	4.5 mm
Wear layer thickness	EN ISO 24340	0.55 mm
Surface treatment (PUR)		Yes
Bevelled edges		No
Total weight	EN ISO 23997	7500 g/m ²
Abrasion group	EN 660-2 EN ISO 10582	Group T: ≤ 2.00 mm ³ Type I
Form of delivery	EN ISO 24342 Planks	22.9 x 121.9 cm 10 planks/box (= 2.79 m ² - 20.9 kg) - 52 boxes/pallet (= 145.16 m ² - 1088.7 kg)
	Tiles	30.5 x 61 cm 14 tiles/box (= 2.6 m ² - 19.5 kg) - 54 boxes/pallet (= 140.65 m ² - 1054.9 kg)
TECHNICAL PERFORMANCES	STANDARDS	iD Inspiration Loose-lay
Dimensional stability	EN ISO 23999	≤ 0.10 %
Reaction to fire	EN 13501-1	B _{fl} s1
Residual indentation	EN ISO 24343-1	≤ 0.10 mm
Furniture leg	EN 424	No damage
Castor chair	EN ISO 4918	No damage
Reduction on transmitted impact noise	EN ISO 717-2	8 dB
Thermal resistance	ISO 10456	0.04 m ² K/W
Transversal electrical properties	EN 1081	ca. 10 ¹¹ Ohm
Light fastness	EN ISO 105-B02	≥ 6
Resistance to chemicals	EN ISO 26987	Unchanged
Antislip classification	EN 13893 DIN 51130	μ ≥ 0.30 DS R9
Colors		22

Technical data in force upon the date of publication (03/15). The values correspond to laboratory tests (no in situ test) and are subject to modification. Tarkett's instructions regarding installation, cleaning and maintenance shall be observed. Please contact your local sales rep. for these instructions.

CUSTOMS TARIFF : 482050000000F

Our Sustainability tag explains the content of our products and how they contribute to our sustainability strategy and human well-being.

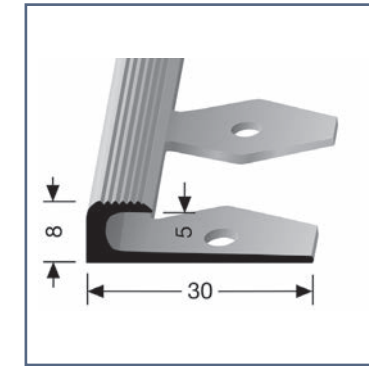


* EXCEPT RECYCLED CONTENT

* TVOC AT 28 DAYS



ENSURE A PERFECT FINISH

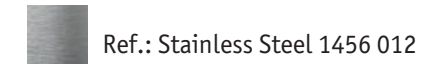


Flexible aluminium profile
 Aluminium stop profile, to be screwed.

2 colors:

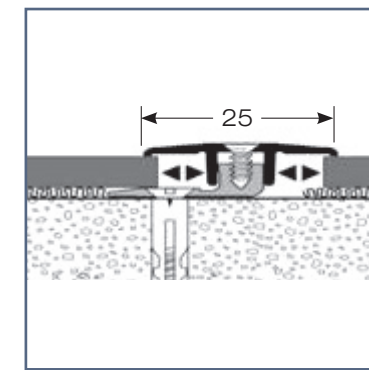
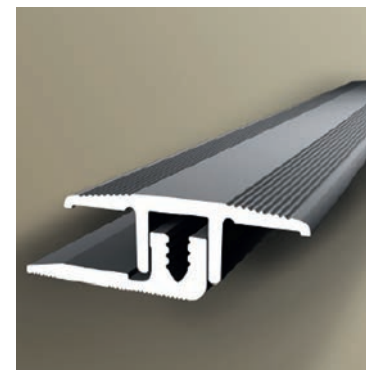


Ref.: Silver 1456 011



Ref.: Stainless Steel 1456 012

Delivery form: 10 units of 2.5 lm

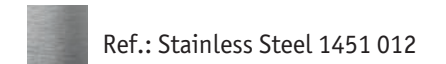


Stainless steel transition profile
 Aluminium transition profile, to be screwed.

2 colors:

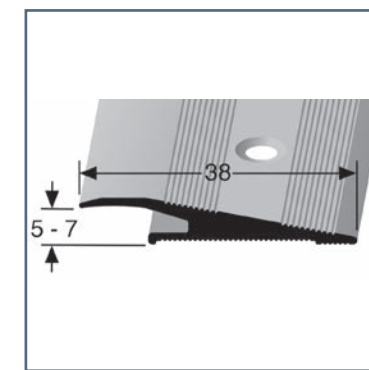
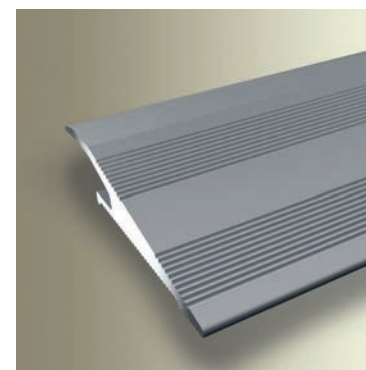


Ref.: Silver 1451 011



Ref.: Stainless Steel 1451 012

Delivery form: 10 units of 2.7 lm

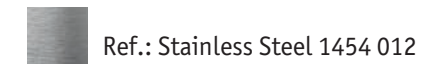


Aluminium ramp profile
 Aluminium ramp profile, to be screwed.

2 colors:

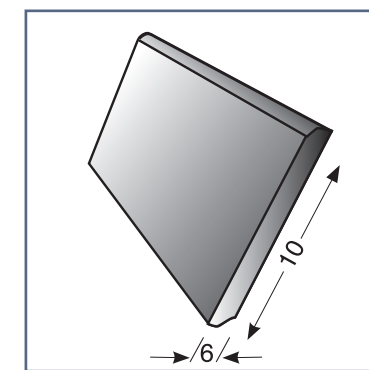
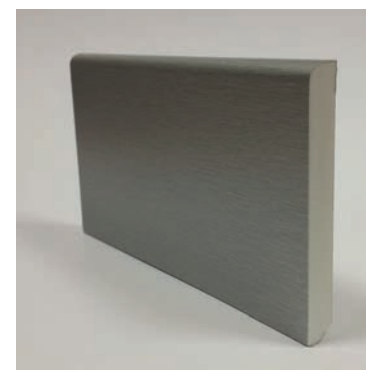


Ref.: Silver 1454 011



Ref.: Stainless Steel 1454 012

Delivery form: 10 units of 2.7 lm



Wall base skirting decorative set
 Compact PVC skirting foreseen with decorative film and PUR treatment. To be glued.

Please see pages 12 and 13 for matching skirting sku numbers.

FLOOR IS THE NEW PLAYGROUND



iD Inspiration Loose-lay – 24640 35 0505 – 03/15

■ **WESTERN EUROPE:** Austria: Tarkett Holding GmbH, Niederlassung Wien – Tel. +43 1 47 88 062 ■ Belgium: Tarkett France Belux – Tel. +32 16 35 98 80 ■ Denmark: Tarkett A/S – Tel. +45 43 90 60 11
 ■ Finland: Tarkett Oy – Tel. +358 9 4257 9000 ■ France: Tarkett SAS – Tel. +33 1 41 20 42 49 ■ Germany: Tarkett Holding GmbH, Bereich Objekt – Tel. +49 62 33 810 ■ Greece: Tarkett Monoprosopi Ltd
 – Tel. +30 210 6745 340 ■ Italy: Tarkett S.p.A. – Tel. +39 0744 7551 ■ Luxembourg: Tarkett GDL SA – Tel. +352 949 211 8804 ■ Netherlands: Tarkett Holding GmbH, Vestiging Nederland – Tel. +31 76 57 80 760
 ■ Norway: Tarkett AS – Tel. +47 32 20 92 00 ■ Portugal: Tarkett SA – Tel. +351 21 427 64 20 ■ Spain: Tarkett Floors S.L. – Tel. +34 91 358 00 35 ■ Sweden: Tarkett Sverige AB – Tel. +46 771 25 19 00
 ■ Switzerland: Tarkett Holding GmbH, Bereich Objekt Schweiz – Tel. +41 043 233 79 24 ■ Turkey: Tarkett Aspen – Tel. +90 212 213 65 80 ■ United Kingdom: Tarkett Ltd – Tel. +44 (0) 1622 854 040
 ■ **EASTERN EUROPE:** Baltic Countries: Tarkett Baltics: Tel. +370 37 262 220 ■ Czech Republic: Tarkett France SAS, org. slozka – Tel. +420-271 001 602 ■ Hungary: Tarkett France SAS – Tel. +36 1 437 8150
 ■ Poland: Tarkett Polska Sp. z o.o. – Tel. +48 22 639 31 68 ■ Russian Federation: ZAO Tarkett RUS – Tel. +7 495 775 3737 ■ Slovakia: Tarkett France SAS, org.zlozka – Tel. +421 248 291 317 ■ South East Europe: Tarkett Trade d.o.o. – Tel. +381 21 7557 649 (44) 569 12 21 ■ Ukraine: Tarkett UA – Tel. +38 (0) 44 569 12 21 ■ **ASIA AND OCEANIA:** Australia: Tarkett Australia Pty Ltd – Tel. +61 2 88 53 12 00 ■ China: Tarkett Floor Covering (Shanghai) Co. Ltd. – Tel. +86 (21) 60 95 68 38 ext 841 ■ Hong Kong: Tarkett Asia Pacific Ltd. – Tel. +852 2511 8716 ■ India: Tarkett France (India Branch) – Tel. +91 11 4352 4073 ■ South East Asia: Tarkett Flooring Singapore Pte Ltd – Tel. +65 6346 1585 ■ **AFRICA:** Tarkett International: Tel. +33 1 41 20 41 01 ■ **MIDDLE EAST:** Tarkett Middle East: Tel. +961 1 51 3363/4 ■ Israel: Tarkett International: Tel. +33 1 41 20 41 01
 ■ **NORTH AMERICA:** USA: Tarkett Inc. – Tel. +1 713 869 5811 / Johnstone – Tel. +1 440 543 8916 ■ Canada: Tarkett Inc. – Tel. +1 450 293 173 ■ **LATIN AMERICA:** Brazil: Tarkett Fademac – Tel. 55 12 3954 7108
 ■ Other countries: Tarkett America Latina – Tel. +55 11 3047 7200 ■ Argentina - Chile - Uruguay: Tarkett Latam Mercosur – Tel. 54 11 48 06 74 28 / 54 9 11 44 46 88 82 ■ Colombia - Panama - Caribbean: Tarkett Latam Andina
 – Tel. 57 1 759 5781 / 57 312 273 1566 ■ Bolivia - Ecuador - Paraguay - Peru: Tarkett Latam Sur Oeste – Tel. 55 11 3047 7233 ■ Mexico / Central America: Tarkett Latam Mexico – Tel. 52 735 35 63 918 / 52 55 51 07 9524